

DVSA approved. Suitable to test class M1, 4, 7 and 5L

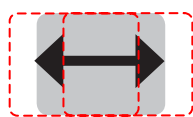
The **ESCON PD2700 Hydraulic Play Detector** is designed to check quickly and efficiently most steering and suspension components. The PD2700 is designed for the UK statutory testing of Class 4, 7 and 5L vehicles in accordance with the MOT test. **VOSA approval EINAP16240A0909042**. It enables a technician quickly to detect play and wear in the wheel guiding and steering parts of passenger cars and light trucks. A used car often shows wear and tear in ball joints, bushings, fixations, pivot points, link bolts and shock absorber mountings. Most worn or damaged components can be identified before they pose problems.

The PD2700 model consists of a hydraulic powerpack, a control lamp and **ONE** platform. **The platform is only 48mm high** and is actuated by two hydraulic cylinders. The play is visually checked with the control lamp. The control lamp contains three buttons. One for the lateral movement of the platform to the left and the right. The other to rotate the platform in the left and the right direction. The third button is used to switch the lamp on/off.

The play detector can be installed next to an inspection pit or on a suitable vehicle lift.



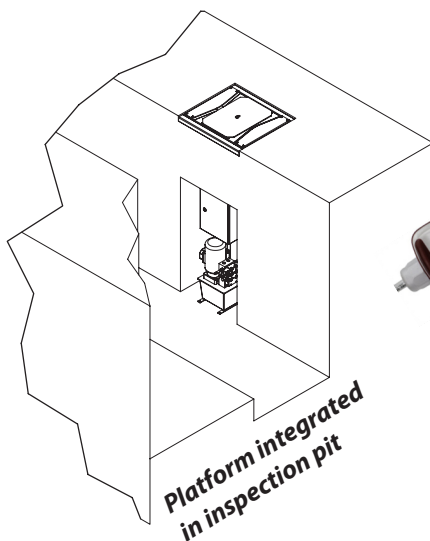
Platform movements:



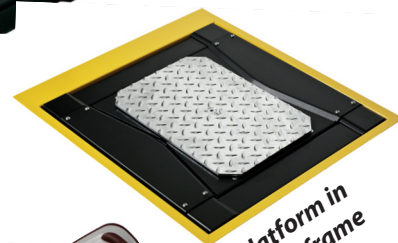
1. lateral



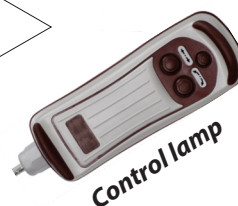
2. rotate



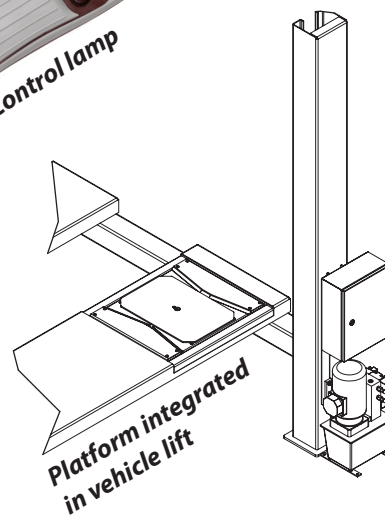
Platform integrated in inspection pit



Platform in floor frame



Control lamp



Platform integrated in vehicle lift



Powerpack

**Also available:
SINGLE PHASE**

Specifications:

- Operation: *Electro-hydraulic*
- Maximum wheel load: *1.5 ton*
- Maximum force applied to the center of the plate: *12 kN*
- Plate rotation (each side): *10°*
- Lateral movement (each side): *42 mm*
- Operating pressure: *225 bar*
- Cable length: *6.5 m*
- Dimensions platform: *625 x 500 x 48 mm (L x W x H)*
- Dimensions powerpack: *240 x 350 x 1025 mm (D x W x H)*
- Weight platform: *39 kg*
- Weight powerpack: *33 kg*
- Motor: *1.5 kW, 3PH+N+E 400V / 50Hz*

Wireless control lamp (RF)



Also available:

Technical specifications are subject to changes without notice.



Altus-Escon-Company B.V.
Drachmeweg 26
NL-2153PA Nieuw-Vennep
The Netherlands

Certified: ISO 9001
www.escon-test.com
sales@escon-test.com
+31 (0)88 258 37 00

Diagnostic equipment for specialists!

